

Implementation of Adder and Multiplier Using QSD in FPGA Technology

¹B. RAMESH, PG Scholar in Embedded Systems & VLSI Design,

²G. SATHYAPRABHA, Asst.Prof, ECE Department,

¹biyyaniramesh@gmail.com,

²sathyaprabhamtech@gmail.com ,

^{1,2} SLC's Institute of Engineering and Technology, RANGAREDDY, Telangana.

Abstract: In this paper, we proposed a new number system for ALU. In binary number system carry is a major problem in arithmetical operation. We have to suffer $O(n)$ carry propagation delay in n -bit binary operation. To overcome this problem signed digit is required for carry free arithmetical operation. Carry look ahead helps to improve the propagation delay to $O(\log n)$, but is bounded to a small number of digits due to the complexity of the circuit. A carry-free arithmetic operation can be achieved using a higher radix number system such as Quaternary Signed Digit (QSD). In QSD, each digit can be represented by a number from -3 to 3. This number system allows multiple representations of any integer. By exploiting this feature, we can design an adder without ripple carry. Quaternary Signed Digit (QSD) have a major contribution in higher radix ($=4$) carry free arithmetical operation. For digital implementation, the signed digit quaternary numbers are represented using 3-bit 2's compliment notation. In this paper, a simple and new technique of binary (2's compliment) to QSD conversion is proposed and described.

Keywords: quaternary sign digit(QSD), fast computation, multiplier, quaternary logic, ALU.

I. Introduction

The various digital systems such as computers and signal processors, arithmetic operation plays important role. The speed of system increases with increasing the speed of addition and multiplication. In conventional binary number system, carry may propagate all the way from the least significant digit to the most significant. Thus the addition time is dependent on the word length.

Arithmetic operations are widely used and play important roles in various digital systems

such as computers and signal processors. QSD number representation has attracted the interest of many researchers. Additionally, recent advances in technologies for integrated circuits make large scale arithmetic circuits suitable for VLSI implementation [1][2]. However, arithmetic operations still suffer from known problems including limited number of bits propagation time delay, and circuit complexity.

In this paper, we propose a high speed QSD arithmetic logic unit which is capable of carry free addition, borrow free subtraction, up-down count and multiply operations. The QSD addition/subtraction operation employs a fixed number of minterms for any operand size. The multiplier is composed of partial product generators and adders. For convenience of testing and to verify results, we choose to implement the units using a programmable logic device.

II. Technique Of Conversion From Binary Number To QSD Number

1-digit QSD can be represented by one 3-bit binary equivalent as follows:

$$\bar{3} = 101$$

$$\bar{2} = 110$$

$$\bar{1} = 111$$

$$0 = 000$$

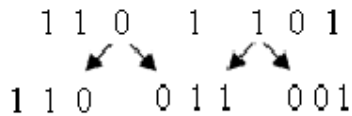
$$1 = 001$$

$$2 = 010$$

$$3 = 011$$

So to convert n -bit binary data to its equivalent q -digit QSD data, we have to convert

this n-bit binary data into 3q-bit binary data. To achieve the target, we have to split the 3rd, 5th, 7th bit.... i.e. odd bit (from the LSB to MSB) into two portions. But we cannot split the MSB. If the odd bit is 1 then, it is split into 1 & 0 and if it is 0 then, it is split into 0 & 0. An example makes it clear, the splitting technique of a binary number (1101101)₂ is shown below:

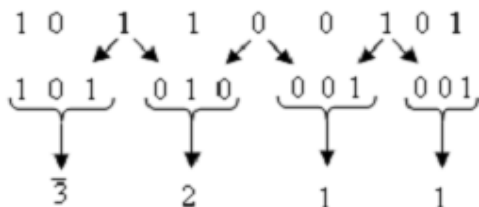


So we have to split the binary data (1) q- times (as example, for conversion of 2-bit quaternary number, the splitting is 1 time; for converting 3-digit quaternary number the split is 2-times and so on). In each such splitting one extra bit is generated. So, the required binary bits for conversion to its QSD equivalent (n) = (Total numbers of bits generated after divisions) – (extra bit generated due to splitting).

$$n = 3q - \{1 \times (q - 1)\} = (2q + 1) \quad (3)$$

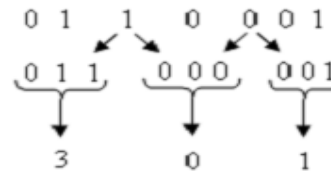
So, number of bits of the binary number should be 3, 5, 7, 9 etc for converting it to its equivalent QSD number. Now every 3-bit can be converted to its equivalent QSD according to the equation (2). The following two examples as given below will help to make the things clear.

- 1) Let $(-155)_{10} = (101100101)_2$ have be converted to its equivalent QSD. '(101100101)₂' is 9-bit binary data. Its 3rd bit is 1, 5th bit is 0 and 7th bit is 1. So from the equation (3) we can say that, its QSD equivalent is of 4-digit. Hence according to the splitting technique stated above the binary data can be expressed as follows.



So the QSD equivalent of $(101100101)_2$ is $(\bar{3}211)_4$.

- 2) Let $(49)_{10} = (0110001)_2$ is to be converted to its equivalent QSD. '(0110001)₂' is 7-bit binary number. According to the previous discussion the conversion is as follows



So the QSD equivalent of $(110001)_2$ is $(301)_4$.

III. Adder/Subtractor Design

Addition is the most important arithmetic operation in digital computation. A carry-free addition is highly desirable as the number of digits becomes large. We can achieve carry-free addition by exploiting the redundancy of QSD numbers and the QSD addition.

There are two steps involved in the carry-free addition. The first step generates an intermediate carry and sum from the addend and augend. The second step combines the intermediate sum of the current digit with the carry of the lower significant digit. To prevent carry from further rippling, we define two rules. The first rule states that the magnitude of the intermediate sum must be less than or equal to 2. The second rule states that the magnitude of the carry must be less than or equal to 1. Consequently, the magnitude of the second step output cannot be greater than 3 which can be represented by a single-digit QSD number; hence no further carry is required. In step 1, all possible input pairs of the addend and augend are considered. The output ranges from -6 to 6 as shown in Table 1.

Table 1. The outputs of all possible combinations of a pair of addend (A) and augend (B).

	B	-3	-2	-1	0	1	2	3
A	-3	-6	-5	-4	-3	-2	-1	0
	-2	-5	-4	-3	-2	-1	0	1
	-1	-4	-3	-2	-1	0	1	2
	0	-3	-2	-1	0	1	2	3
	1	-2	-1	0	1	2	3	4
	2	-1	0	1	2	3	4	5
	3	0	1	2	3	4	5	6

The range of the output is from -6 to 6 which can be represented in the intermediate carry and sum in QSD format as show in Table 2. Some numbers have multiple representations, but only those that meet the defined rules are chosen. The chosen intermediate carry and sum are listed in the last column of Table 2.

Table 2. The intermediate carry and sum between -6 to 6.

Sum	QSD represented number	QSD coded number
-6	$\bar{2}2, \bar{1}\bar{2}$	$\bar{1}\bar{2}$
-5	$\bar{2}3, \bar{1}\bar{1}$	$\bar{1}\bar{1}$
-4	$\bar{1}0$	$\bar{1}0$
-3	$\bar{1}1, 0\bar{3}$	$\bar{1}1$
-2	$\bar{1}2, 0\bar{2}$	$0\bar{2}$
-1	$\bar{1}3, 0\bar{1}$	$0\bar{1}$
0	00	00
1	01, $\bar{1}\bar{3}$	01
2	02, $\bar{1}\bar{2}$	02
3	03, $\bar{1}\bar{1}$	$\bar{1}\bar{1}$
4	10	10
5	11, $\bar{2}\bar{3}$	11
6	12, $\bar{2}\bar{2}$	12

Both inputs and outputs can be encoded in 3-bit 2's complement binary number. The mapping between the inputs, addend and augend, and the outputs, the intermediate carry and sum are shown in binary format in Table 3. Since the intermediate carry is always between -1 and 1, it requires only a 2-bit binary representation. Finally, five 6-variable Boolean expressions can be extracted.

In step 2, the intermediate carry from the lower significant digit is added to the sum of the current digit to produce the final result. The addition in this step produces no carry because

the current digit can always absorb the carry-in from the lower digit. Table 4 shows all possible combinations of the summation between the intermediate carry and the sum.

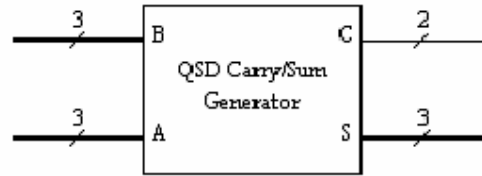


Figure 1. The intermediate carry and sum generator.

Table 3. The mapping between the inputs and outputs of the intermediate carry and sum.

INPUT				OUTPUT				
QSD		Binary		Decimal	QSD		Binary	
A _i	B _i	A _i	B _i	Sum	C _i	S _i	C _i	S _i
3	3	011	011	6	1	2	01	010
3	2	011	010	5	1	1	01	001
2	3	010	011	5	1	1	01	001
3	1	011	001	4	1	0	01	000
1	3	001	011	4	1	0	01	000
2	2	010	010	4	1	0	01	000
1	2	001	010	3	1	-1	01	111
2	1	010	001	3	1	-1	01	111
3	0	011	000	3	1	-1	01	111
0	3	000	011	3	1	-1	01	111
1	1	001	001	2	0	2	00	010
0	2	000	010	2	0	2	00	010
2	0	010	000	2	0	2	00	010
3	-1	011	111	2	0	2	00	010
-1	3	111	011	2	0	2	00	010
0	1	000	001	1	0	1	00	001
1	0	001	000	1	0	1	00	001
2	-1	010	111	1	0	1	00	001
-1	2	111	010	1	0	1	00	001
3	-2	011	110	1	0	1	00	001
-2	3	110	011	1	0	1	00	001
0	0	000	000	0	0	0	00	000
1	-1	001	111	0	0	0	00	000
-1	1	111	001	0	0	0	00	000
2	-2	010	110	0	0	0	00	000
-2	2	110	010	0	0	0	00	000
-3	3	101	011	0	0	0	00	000
3	-3	011	101	0	0	0	00	000
0	-1	000	111	-1	0	-1	00	111
-1	0	111	000	-1	0	-1	00	111
-2	1	110	001	-1	0	-1	00	111
1	-2	001	110	-1	0	-1	00	111
-3	2	101	010	-1	0	-1	00	111
2	-3	010	101	-1	0	-1	00	111
-1	-1	111	111	-2	0	-2	00	110
0	-2	000	110	-2	0	-2	00	110
-2	0	110	000	-2	0	-2	00	110
-3	1	101	001	-2	0	-2	00	110
1	-3	001	101	-2	0	-2	00	110
-1	-2	111	110	-3	-1	1	11	001
-2	-1	110	111	-3	-1	1	11	001
-3	0	101	000	-3	-1	1	11	001
0	-3	000	101	-3	-1	1	11	001
-3	-1	101	111	-4	-1	0	11	000
-1	-3	111	101	-4	-1	0	11	000
-2	-2	110	110	-4	-1	0	11	000
-3	-2	101	110	-5	-1	-1	11	111
-2	-3	110	101	-5	-1	-1	11	111
-3	-3	101	101	-6	-1	-2	11	110

Table 4. The outputs of all possible combinations of a pair of intermediate carry (A) and sum (B).

B		-2	-1	0	1	2
A	-1	-3	-2	-1	0	1
	0	-2	-1	0	1	2
	1	-1	0	1	2	3

Table 5. The mapping between inputs and outputs of the second step QSD adder.

INPUT		OUTPUT				
QSD	Binary	Decimal		QSD	Binary	
A _i	B _i	A _i	B _i	Sum	S _i	S _i
1	2	01	010	3	3	111
1	1	01	001	2	2	010
0	2	00	010	2	2	010
0	1	00	001	1	1	001
1	0	01	000	1	1	001
-1	2	11	010	1	1	001
0	0	00	000	0	0	000
1	-1	01	111	0	0	000
-1	1	11	001	0	0	000
0	-1	00	111	-1	-1	111
-1	0	11	000	-1	-1	111
1	-2	01	110	-1	-1	111
-1	-1	11	111	-2	-2	110
0	-2	00	110	-2	-2	110
-1	-2	11	110	-3	-3	001

Three 5-variable Boolean expressions can be extracted from Table 5. Figure 2 shows the diagram of the second step adder. The implementation of an n-digit QSD adder requires n QSD carry and sum generators and n-1 second step adders as shown in Figure 2. The result turns out to be an n+1-digit number.

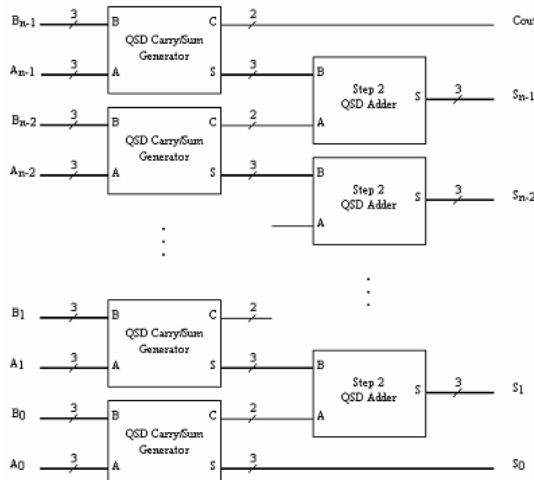


Figure 2. n-digit QSD adder.

IV. Multiplier Design

There are generally two methods for a multiplication operation: parallel and iterative. QSD multiplication can be implemented in both ways, requiring a QSD partial product generator and QSD adder as basic components. A partial product, M_i , is a result of multiplication between an n-digit input, $A_{n-1}A_0$, with a single digit input, B_i , where $i = 0..n-1$. The primitive component of the partial product generator is a single-digit multiplication unit whose functionality can be expressed as shown in Table 6.

Table 6. The outputs of all possible combinations of a pair of multiplicand (A) and multiplier (B).

B		-3	-2	-1	0	1	2	3
A	-3	9	6	3	0	-3	-6	-9
	-2	6	4	2	0	-2	-4	-6
	-1	3	2	1	0	-1	-2	-3
	0	0	0	0	0	0	0	0
	1	-3	-2	-1	0	1	2	3
	2	-6	-4	-2	0	2	4	6
	3	-9	-6	-3	0	3	6	9

The single-digit multiplication produces M as a result and C as a carry to be combined with M of the next digit. The range of both outputs, M and C , is between -2 and 2. According to Table 8, and using the same procedure as in creating Table 3 and 5, the mapping between the 6-bit input, A and B , to the 6-bit output, M and C , results in six 6-variable Boolean expressions which represent a single-digit multiplication operation. The diagram of a single-digit QSD multiplier is shown in Figure 3

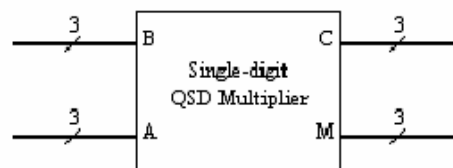


Figure 3. A single-digit QSD multiplier

The implementation of an n-digit partial product generator uses n units of the single-digit QSD multiplier. Gathering all the outputs to produce a partial product result presents a small challenge. The QSD representation of a single digit multiplication output, shown in Table 7, contains a carry-out of magnitude 2 when the output is either -9 or 9. This prohibits the use of the second step QSD adder alone as a gatherer. In fact, we can use the complete QSD adder from the previous section as the gatherer. Furthermore, the intermediate carry and sum circuit can be optimized by not considering the input of magnitude 3. The QSD partial product generator implementation is shown in Figure 4.

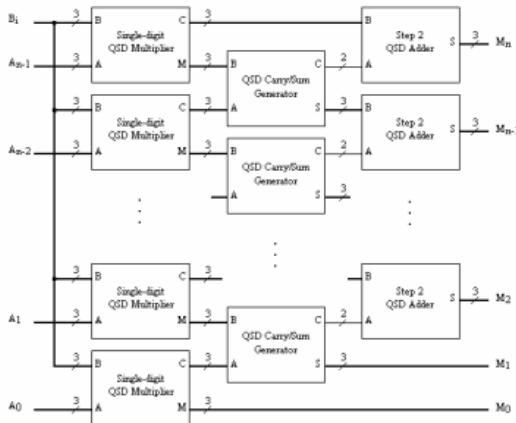


Figure 4. The n-digit QSD partial product generator.

Table 7. The QSD representation of a single-digit multiplication output.

Mult	QSD represented Number	QSD coding Number
-9	$\bar{2}\bar{1},\bar{3}\bar{3}$	$\bar{2}\bar{1}$
-6	$\bar{2}\bar{2},\bar{1}\bar{2}$	$\bar{1}\bar{2}$
-4	$\bar{1}\bar{0}$	$\bar{1}\bar{0}$
-3	$\bar{1}\bar{1},\bar{0}\bar{3}$	$\bar{1}\bar{1}$
-2	$\bar{1}\bar{2},\bar{0}\bar{2}$	$\bar{0}\bar{2}$
-1	$\bar{1}\bar{3},\bar{0}\bar{1}$	$\bar{0}\bar{1}$
0	00	00
1	01, $\bar{1}\bar{3}$	01
2	02, $\bar{1}\bar{2}$	02
3	03, $\bar{1}\bar{1}$	$\bar{1}\bar{1}$
4	10	10
6	12, $\bar{2}\bar{2}$	12
9	21, $\bar{3}\bar{3}$	21

An nxn-digit QSD multiplication requires n partial product terms. In an iterative implementation, a 2ndigit QSD adder is used to perform add-shift operations between the partial product generator and the accumulator. After iterations, the multiplication is complete. In contrast, a parallel implementation requires n partial product circuits and n-1 QSD adder units. A binary reduction sum is applied to reduce the propagation delay to $O(\log n)$.

V. Results

The QSD adder written in VHDL, compiled and simulation using modelsim. The QSD adder circuit simulated and synthesized on SPARTAN3E FPGA using XilinxISE. The QSD adder circuit simulated and synthesized. The simulated result for 4-bit QSD adders as shown in below.

/adder_tb/a0	000	000
/adder_tb/a1	010	010
/adder_tb/a2	110	110
/adder_tb/a3	001	001
/adder_tb/b0	010	010
/adder_tb/b1	011	011
/adder_tb/b2	010	010
/adder_tb/b3	101	101
/adder_tb/cout	00	00
/adder_tb/s0	010	010
/adder_tb/s1	001	001
/adder_tb/s2	001	001
/adder_tb/s3	110	110

Figure 5: Simulated result QSD adder

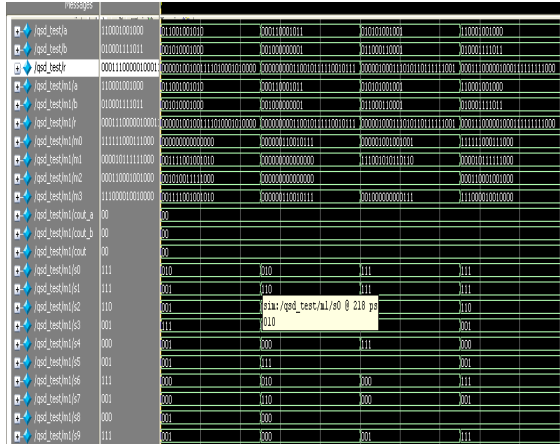


Figure 6: Simulated result QSD multiplier

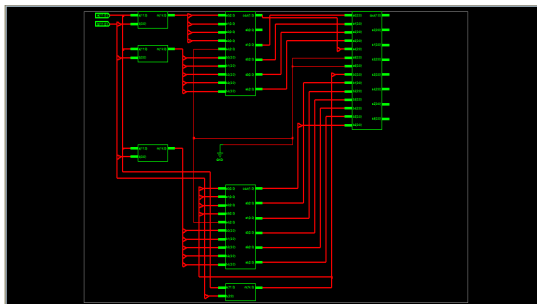


Figure 7:RTL Schematic of QSD multiplier

Project File:	gfhth.ise	Current State:	Synthesized
Module Name:	qsd_mul4x4	Errors:	No Errors
Target Device:	xc3s500e-5lg320	Warnings:	12 Warnings
Product Version:	ISE 10.1 - Foundation Simulator	Routing Results:	
Design Goal:	Balanced	Timing Constraints:	
Design Strategy:	Xilinx Default (unlocked)	Final Timing Score:	

gfhth Partition Summary			
No partition information was found.			

Device Utilization Summary (estimated values)			
Logic Utilization	Used	Available	Utiliz
Number of Slices	494	4656	
Number of Slice Flip Flops	227	9312	
Number of 4 input LUTs	882	9312	
Number of bonded IOBs	51	232	

Figure 8: Summary QSD multiplier

VI. Conclusion

In this paper the implementation of QSD addition and multiplication are presented. The performance of the QSD ALU design is better comparing to other designs. The complexity of the QSD adder is linearly proportional to the number of bits which are of the same order as the simplest adder, the ripple carry adder. This

QSD adder can be used as a building block for other arithmetic operations such as multiplication, division, square root, etc. With the QSD addition scheme, some well-known arithmetic algorithms can be directly implemented.

VII. References

- [1] I. M. Thoidis, D. Soudris, J. M. Fernandez, A. Thanailakis, "The circuit design of multiple-valued logic voltage-mode adders," 2001 IEEE
- [2] A.A.S. Awwal and J.U. Ahmed, "fast carry free adder design using QSD number system" proceedings of the IEEE 1993 national aerospace and electronic conference, vol 2, pp 1085-1090, 1993.
- [3] Behrooz perhami "generalized signed digit number systems, a unifying frame work for redundant number representation ".IEEE transactions on computers, vol 39, no.1, pp.89-98, January 1990.
- [4] O. Ishizuka, A. Ohta, K. Tannno, Z. Tang, D. Handoko, "VLSI design of a quaternary multiplier with direct generation of partial products," Proceedings of the 27th International Symposium on Multiple-Valued Logic, pp. 169-174, 1997.
- [5] A.A.S Awwal, Syed M. Munir, A.T.M. Shafiqul Khalid, Howard E. Michel and O. N. Garcia, "Multivalued Optical Parallel Computation Using An Optical Programmable Logic Array", Informatica, vol. 24, No. 4, pp. 467-473, 2000.
- [6] F. Kharbash and G. M. Chaudhry, "Reliable Binary Signed Digit Number Adder Design", IEEE Computer Society Annual Symposium on VLSI, pp 479-484, 2007.
- [7] John Moskal, Erdal Oruklu and Jafar Saniie, "Design and Synthesis of a Carry-Free Signed-Digit Decimal Adder", IEEE International symposium on Circuits and Systems, pp 1089-1092, 2007.
- [8] Kai Hwang, "Computer Arithmetic Principles, Architecture and Design", ISBN 0-471-03496-7, John Wiley & Sons, 1979.

